

High performance mini LED floodlights

Compact and stylish IP66 rated floodlight with precise optical control for both uplighting and downlighting applications from traditional floodlighting to illuminating signs and building facades. Suitable for wall or pole mounting. Available in 20 W, 34 W and 42 W with a circuit efficiency of up to 118.1 LL/CW.

Applications: Footpaths, facades, architectural, signage, car parks and amenity areas

- Versatile mounting options
- Photocell option
- SmartScan wireless technology removes the need for control cabling. Ideal for retro-fit

Notes: SmartScan version not suitable for uplighting applications



IP66

IK10

Up to 118.1 LL/CW

SMARTSCAN

LED PROTECT

Lighting management

Lighting control system

Non-dimming
SmartScan External

Emergency system

Non-emergency

Specification

Mounting

Column
Surface

IP rating

IP66

Impact rating

IK10

Windage rating

0.06 m²

Max presence detection height

8 m

Lighting

Optic

Clear cover

Lumen output

2,835 lm - 5,400 lm

Efficacy

Up to 118.1 LL/CW

Power

LED power

20 W - 42 W

Circuit power

24 W - 47 W

LED characteristics

CRI

70+

Colour temperature

4000 K

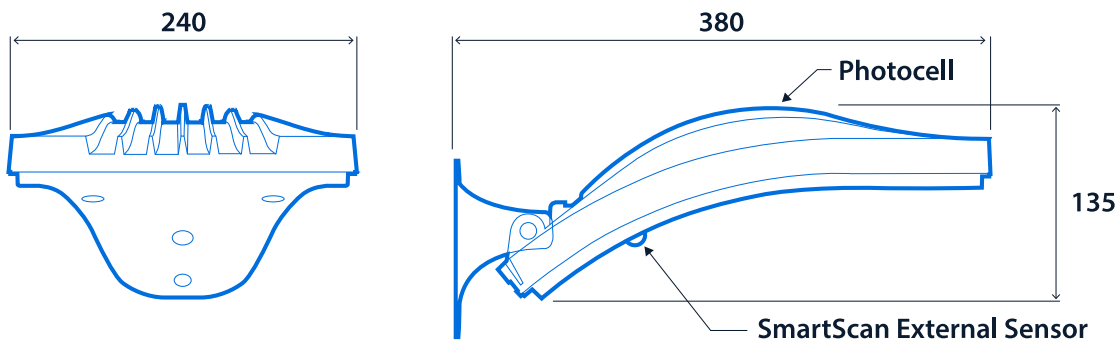
Rated life (hours)

100 K - L90/B10

Compliance

UKCA	Yes	CE	Yes
C-Tick (Aus)	Yes	Energy efficiency class	This product contains a light source of energy efficiency class C
SmartScan wireless standards compliance	Europe: EN 300 220-1 V2.4.1/ EN 301 489-3 V1.6.1. Australasia: ACMA 2014 Radio Communication Standard 2014. Thorlux Patented Wireless Technology - GB2575724		

Dimensions



Mounting Accessories

Product code	Description	Weight
STF18750SV3	Single luminaire pole top mount - 76 mm dia. - Silver	1.2 kg
STF18750G2	Single luminaire pole top mount - 76 mm dia. - Graphite	1.2 kg
STF18751SV3	Single luminaire pole top mount - 60 mm dia. - Silver	1.5 kg
STF18751G2	Single luminaire pole top mount - 60 mm dia. - Graphite	1.5 kg
STF17330SV3	Pole top mounting kit - Silver - For use with spigot adaptor POT-89R or POT-76R, can accomodate up to 4 Starfloods	1.4 kg
STF17330G2	Pole top mounting kit - Graphite - For use with spigot adaptor POT-89R or POT-76R, can accomodate up to 4 Starfloods	1.4 kg
POT-114R	Single floodlight mounting pot - To fit on to 101 mm dia.	-
POT-89R	Single floodlight mounting pot - To fit on to 76 mm dia.	-
POT-76R	Single floodlight mounting pot - To fit on to 60 mm dia.	-

Accessories

Product code	Description	Weight
STF17329G2	Corner mounting bracket - Graphite	0.5 kg
STF17328G2	Wide mounting bracket - Graphite	0.5 kg



View the range

