

Low light level, wall mounted luminaires

Stylish IP66 wall mounted luminaires. Strong high-pressure die-cast aluminium body with injection moulded UV stabilised polycarbonate cover.

Applications: Schools, hospitals, retail and other commercial environments. Final exit door illumination.

Complements its larger brother the Realta.

- Maintained or non-maintained emergency options
- SmartScan wireless technology removes the need for control cabling. Ideal for retro-fit



IP66
IK11
68.8 LL/CW
SMARTSCAN
LUXGUARD

Specification

Mounting	Surface	IP rating	IP66
Impact rating	IK11		

Lighting

Lumen output	550 lm	Efficacy	68.8 LL/CW
--------------	--------	----------	------------

Emergency data

Emergency lumen output	210 lm	Emergency type	Maintained
Emergency duration	3 hours	Battery specification	Nickel Metal Hydride (NiMH)

Power

LED power	6 W	Circuit power	8 W
-----------	-----	---------------	-----

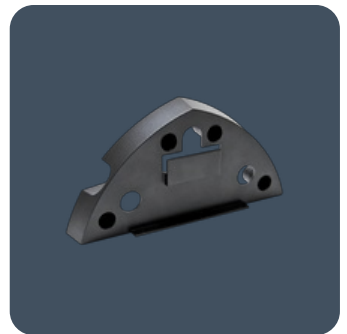
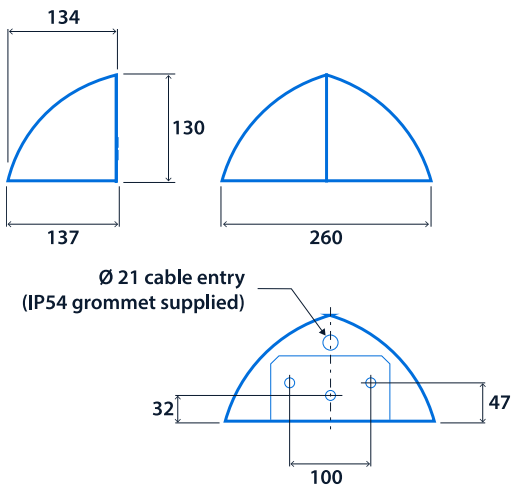
LED characteristics

CRI	80+	Colour temperature	4000 K
Rated life (hours)	63 K - L80/B10		

Compliance

UKCA	Yes	CE	Yes
C-Tick (Aus)	Yes		

Dimensions





Click or scan here
View Realta Micro variants
using our online filtering tool



Information is correct as of 22 Jan 2025, however must not be interpreted as a guarantee of individual product performance and/or characteristics. We reserve the right to alter specifications and designs without prior notice.