

High performance luminaires designed to minimise light pollution and energy consumption

Stylish IP66 wall mounted luminaires. High-pressure die-cast aluminium body with a high efficiency polycarbonate refractor. Less than 2% upward light.

Applications: Wide versions ideal for uniform pathway lighting for schools, hospitals, retail and other commercial environments. Area version ideal for general area lighting requiring a forward throw light distribution.

Realta Micro also available for low light level applications or emergency exit lighting. Ligature-resistant versions available.

- Strong high-pressure die-cast LM2 aluminium body with high efficiency prismatic polycarbonate front cover
- Wide distribution or area distribution options
- Highly specular, multi-faceted injection moulded vacuum metallised reflector on wide distribution versions
- Excellent distribution with less than 2% upward light component
- Optional photocell control
- SmartScan wireless technology removes the need for control cabling. Ideal for retro-fit



IP66
Up to IK11
Up to 127.6 LL/CW
SMARTSCAN

Lighting management

Lighting control system	Non-dimming Photocell (non-dimming) SmartScan External	Emergency system	AutoTest Emergency Non-emergency SmartScan Emergency Standard Emergency
-------------------------	--	------------------	--

Specification

Mounting	Surface	IP rating	IP66
Impact rating	Up to IK11	Max presence detection height	8 m

Lighting

Optic	Clear cover Prismatic cover	Lumen output	1,320 lm - 5,635 lm
Efficacy	Up to 127.6 LL/CW		

Emergency data

Emergency lumen output	365 lm - 385 lm	Emergency type	Maintained
Emergency duration	3 hours	Battery specification	Nickel Metal Hydride (NiMH)

Power

LED power	8 W - 42 W	Circuit power	11 W - 47 W
-----------	------------	---------------	-------------

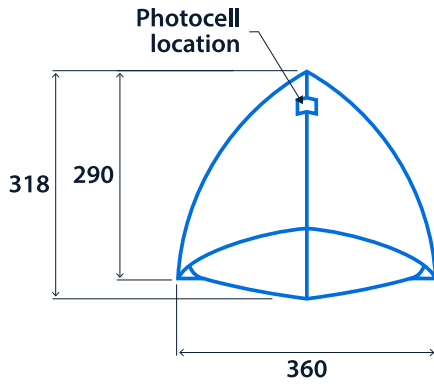
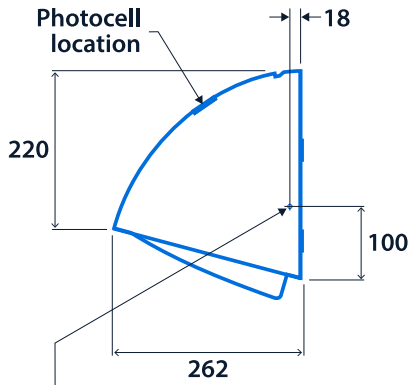
LED characteristics

CRI	70+ 80+	Colour temperature	4000 K
Rated life (hours)	Up to 100 K - L90/B10		

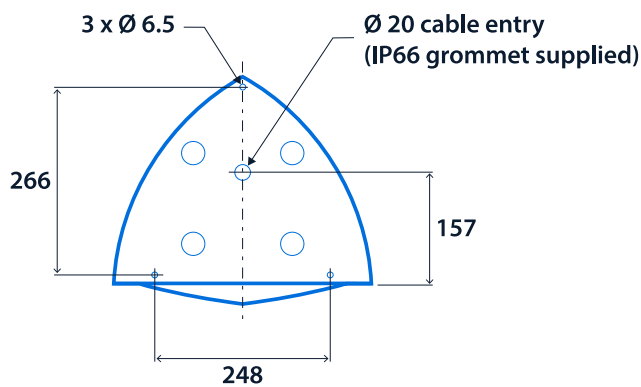
Compliance

UKCA	Yes	CE	Yes
C-Tick (Aus)	Yes	Energy efficiency class	This product contains a light source of energy efficiency class A This product contains a light source of energy efficiency class C
SmartScan wireless standards compliance	Europe: EN 300 220-1 V2.4.1/ EN 301 489-3 V1.6.1. Australasia: ACMA 2014 Radio Communication Standard 2014. Thorlux Patented Wireless Technology - GB2575724		

Dimensions



Spot marked for cable entry on both sides.
Customer to drill if required.



Accessories

Product code	Description	Weight
RL13759	Single luminaire pole mounting attachment - To fit on to 60 mm dia. - Graphite	1.6 kg
RL13759SV3	Single luminaire pole mounting attachment - To fit on to 60 mm dia. - Silver	1.6 kg
RL14175	Twin luminaire pole mounting attachment - To fit on to 60 mm dia. - Graphite	2.6 kg
RL14175SV3	Twin luminaire pole mounting attachment - To fit on to 60 mm dia. - Silver	2.6 kg
RL11184	76/60 mm dia. spigot adaptor - For retro-fit on 76 mm dia. columns	0.8 kg



View the range

