

Corrosion resistant heavy duty bulkhead luminaires

Robust bulkhead luminaires for internal or external applications. Strong high-pressure die-cast aluminium body and frame with polycarbonate or thermally shock resistant borosilicate glass cover. Optional wire guard available.

Applications: walkways, loading bays, entrances, precincts and security areas. Ideal for industrial areas and power stations, cable tunnels, pump rooms and coal handling plants.

- Fixings outside gasket line to preserve IP rating
- Clip-on nylon coated steel wire guard available
- Tamper-resistant cover screws available
- Complies with M.O.D. JSP482 Chapter 8 Document for 'Category C' areas



IP66
Up to 115 LL/CW
LED PROTECT

Specification

Mounting	Surface	IP rating	IP66
----------	---------	-----------	------

Lighting

Optic	Prismatic cover	Lumen output	2,455 lm - 4,255 lm
Efficacy	Up to 115 LL/CW		

Power

LED power	20 W - 32 W	Circuit power	23 W - 37 W
-----------	-------------	---------------	-------------

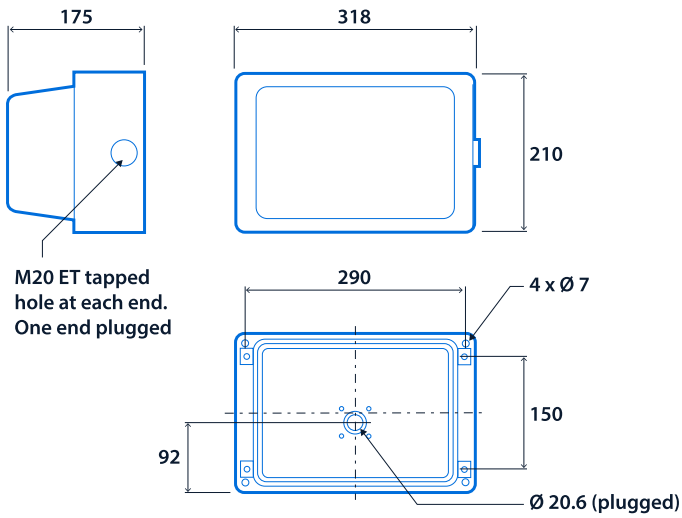
LED characteristics

CRI	70+	Colour temperature	4000 K
Rated life (hours)	100 K - L90/B10		

Compliance

UKCA	Yes	CE	Yes
C-Tick (Aus)	Yes	MOD compliance	JSP482 Chapter 8 Document for 'Category C' areas

Dimensions



Click or scan here
View Prismalux variants using our online filtering tool



Information is correct as of 12 Mar 2025, however must not be interpreted as a guarantee of individual product performance and/or characteristics. We reserve the right to alter specifications and designs without prior notice.