

Vandal-resistant luminaires

Luminaires suitable for internal or external use. Strong high-pressure die-cast aluminium body with flame-retardant polycarbonate cover. Photocell and maintained emergency versions available.

Applications: security areas, precincts, subways, passages and corridors.

- Tamper-resistant cover screws as standard
- Optional photocell control
- Optional bezel trim for semi-recessed mounting
- Complies with M.O.D. JSP482 Chapter 8 Document for 'Category C' areas
- Microwave presence detector option with stand-by light level feature
- SmartScan wireless technology removes the need for control cabling. Ideal for retro-fit

Notes: Photocell options are not suitable for semi-recessed or cornice mounting



IP65

IK11

Up to 125.4 LL/CW

SMARTSCAN

LUXGUARD

Specification

| | | | |
|---------------|---------|-------------------------------|-------|
| Mounting | Surface | IP rating | IP65 |
| Impact rating | IK11 | Max presence detection height | 2.4 m |

Lighting

| | | | |
|----------|--|--------------|---------------------|
| Optic | Low profile satin cover Satin cover | Lumen output | 1,645 lm - 2,395 lm |
| Efficacy | Up to 125.4 LL/CW | | |

Emergency data

| | | | |
|------------------------|-----------------|-----------------------|---|
| Emergency lumen output | 340 lm - 380 lm | Emergency type | Maintained |
| Emergency duration | 3 hours | Battery specification | Lithium Iron Phosphate (LiFePO4) Nickel Metal Hydride (NiMH) |

Power

| | | | |
|-----------|-------------|---------------|-------------|
| LED power | 11 W - 16 W | Circuit power | 14 W - 20 W |
|-----------|-------------|---------------|-------------|

LED characteristics

| | | | |
|--------------------|-----------------|--------------------|--------|
| CRI | 80+ | Colour temperature | 4000 K |
| Rated life (hours) | 100 K - L80/B10 | | |

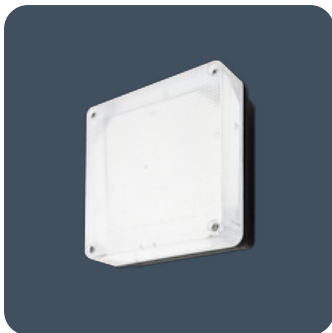
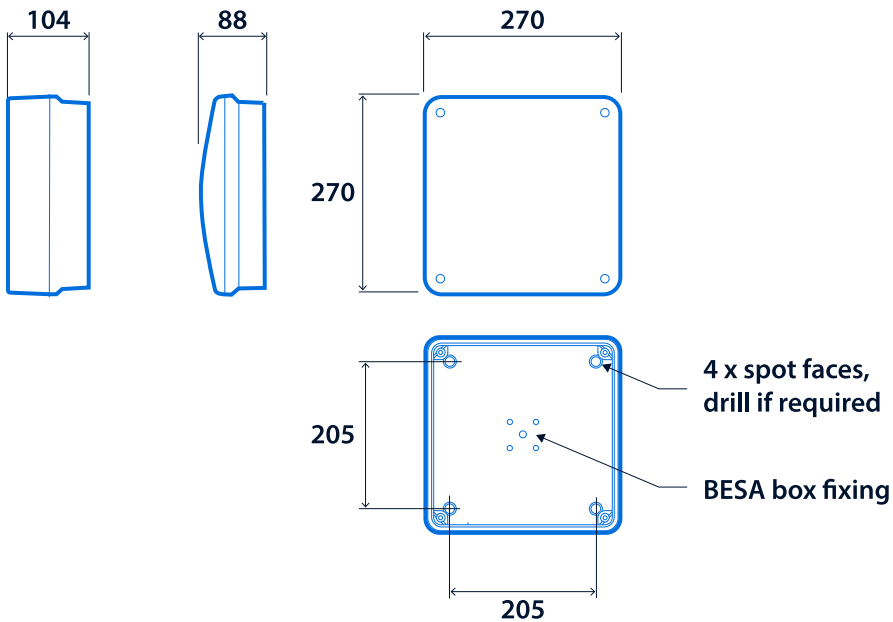
Compliance

| | | | |
|--------------|-----|----------------|--|
| UKCA | Yes | CE | Yes |
| C-Tick (Aus) | Yes | MOD compliance | JSP482 Chapter 8 Document for 'Category C' areas |

Dimensions

Satin cover

Low profile satin cover





Click or scan here
View Prismalette variants
using our online filtering tool



Information is correct as of 05 Feb 2025, however must not be interpreted as a guarantee of individual product performance and/or characteristics. We reserve the right to alter specifications and designs without prior notice.