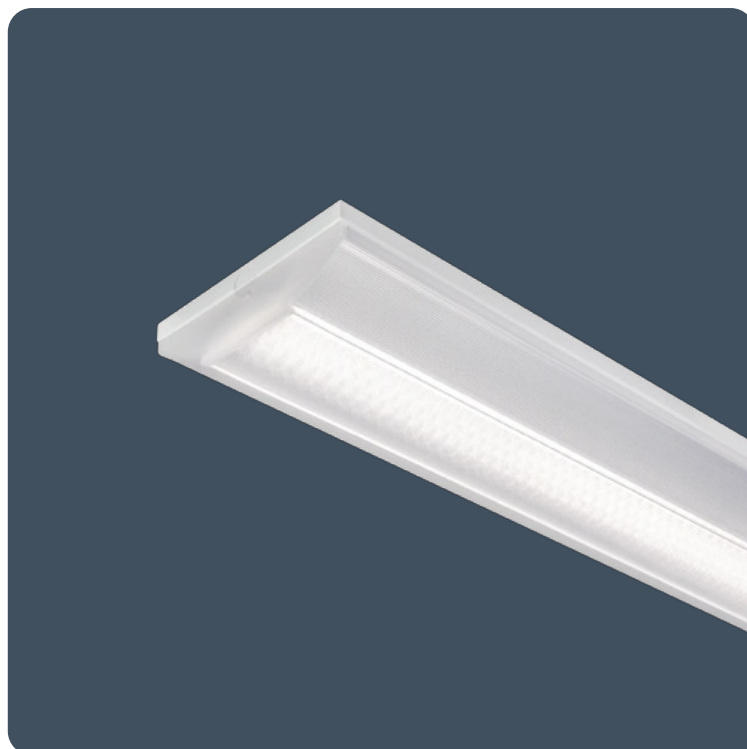


LED surface mounted controller luminaires

Surface mounted luminaires with 'Satin-Glo' polycarbonate side controllers providing high angle illuminance. Micro-prism lens (LED) provide main illumination element and cut off. Assists compliance with EN12464-1 / LG7 ($3000 \text{ cd/m}^2 @ 65^\circ$).

Applications: schools, colleges, hospitals and areas with computer screens.

- 'Satin-Glo' polycarbonate controller provides high angle illuminance
- Excellent optical design for EN12464-1 / LG7 ($3000 \text{ cd/m}^2 @ 65^\circ$) compliance
- SmartScan wireless technology removes the need for control cabling. Ideal for retro-fit



IP40

Up to 151.9 LL/CW

SMARTSCAN

LUXGUARD

Specification

Mounting	Surface	IP rating	IP40
Nominal size	1200 mm 1500 mm	Max presence detection height	8 m

Lighting

Optic	Satin-Glo diffuser	Lumen output	2,635 lm - 7,120 lm
Efficacy	Up to 151.9 LL/CW		

Emergency data

Emergency lumen output	390 lm - 575 lm	Emergency type	Maintained
Emergency duration	3 hours	Battery specification	Nickel Metal Hydride (NiMH)

Power

LED power	14 W - 43 W	Circuit power	18 W - 50 W
-----------	-------------	---------------	-------------

LED characteristics

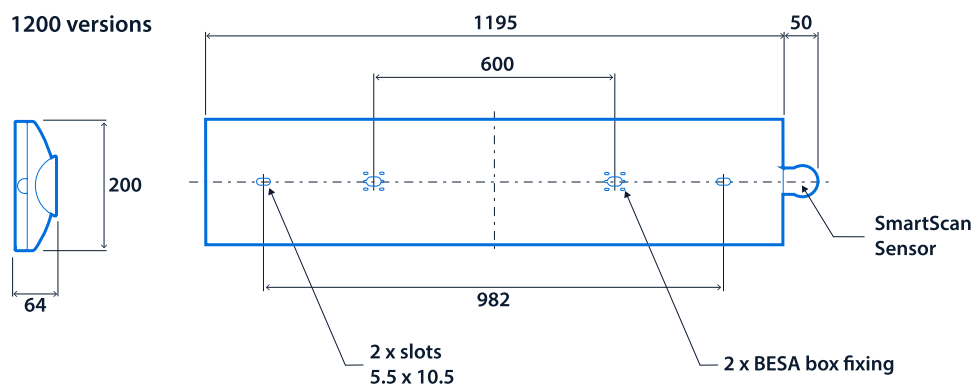
CRI	80+	Colour temperature	4000 K
Rated life (hours)	67 K - L80/B10		

Compliance

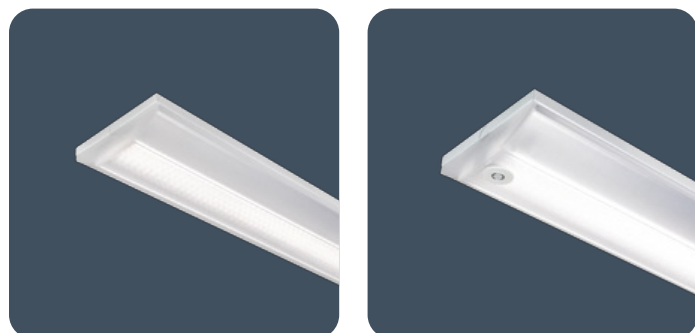
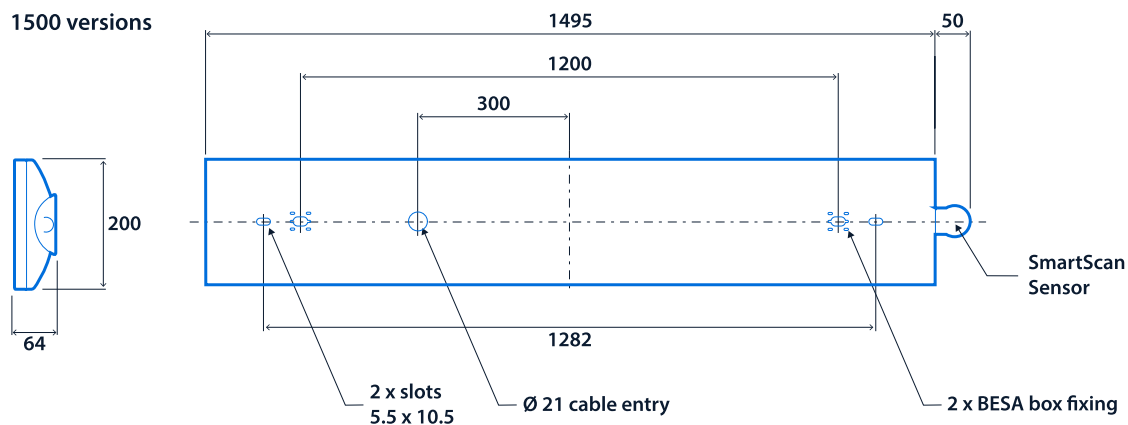
UKCA	Yes	CE	Yes
C-Tick (Aus)	Yes		

Dimensions

1200 versions



1500 versions





Click or scan here

View Jubilee-XL variants
using our online filtering tool



Information is correct as of 12 Mar 2025, however must not be interpreted as a guarantee of individual product performance and/or characteristics. We reserve the right to alter specifications and designs without prior notice.