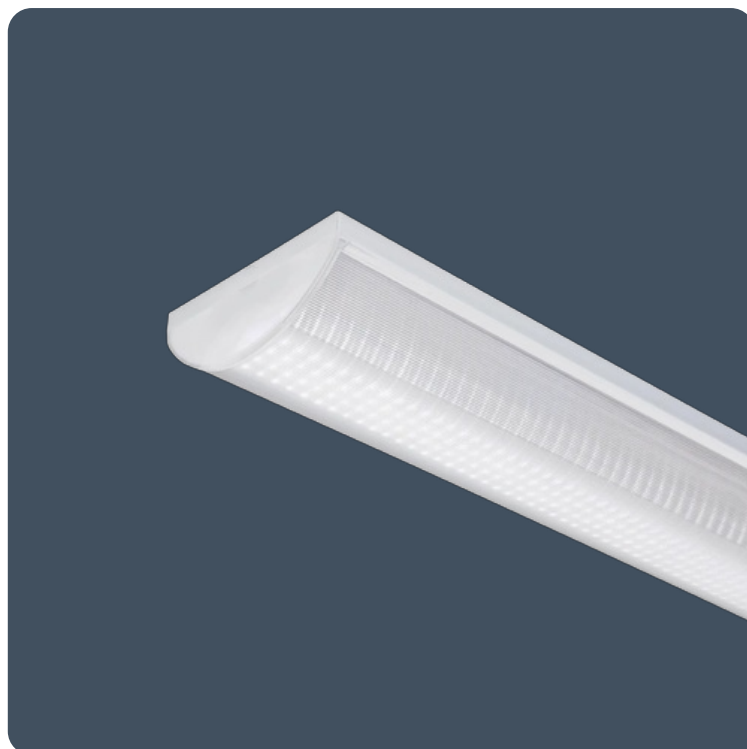


Surface mounted shallow profile LED controlled luminaires

Shallow profile surface mounted luminaires with co-extruded 'Satin-Glo' polycarbonate controller. Suitable for use on defined escape routes.

Applications: schools, hospitals.

- Shallow profile design
- Specially wavelength optimised diffuser for LED technology achieves up to 171 lumens per "lamp" watt
- SmartScan wireless technology removes the need for control cabling. Ideal for retro-fit



IP40

Up to 150.6 LL/CW



Specification

Mounting	Surface	IP rating	IP40
Nominal size	1200 mm 1500 mm	Max presence detection height	8 m

Lighting

Optic	Satin-Glo diffuser	Lumen output	2,575 lm - 8,065 lm
Efficacy	Up to 150.6 LL/CW		

Emergency data

Emergency lumen output	390 lm - 540 lm	Emergency type	Maintained
Emergency duration	3 hours	Battery specification	Nickel Metal Hydride (NiMH)

Power

LED power	14 W - 51 W	Circuit power	18 W - 58 W
-----------	-------------	---------------	-------------

LED characteristics

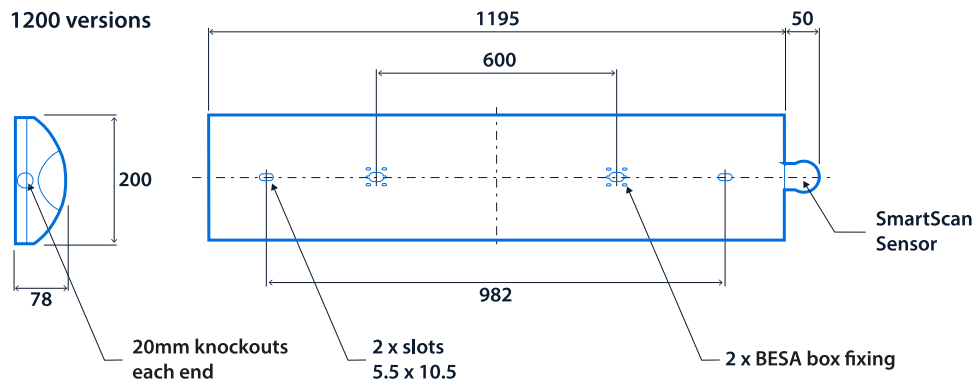
CRI	80+	Colour temperature	4000 K
Rated life (hours)	67 K - L80/B10		

Compliance

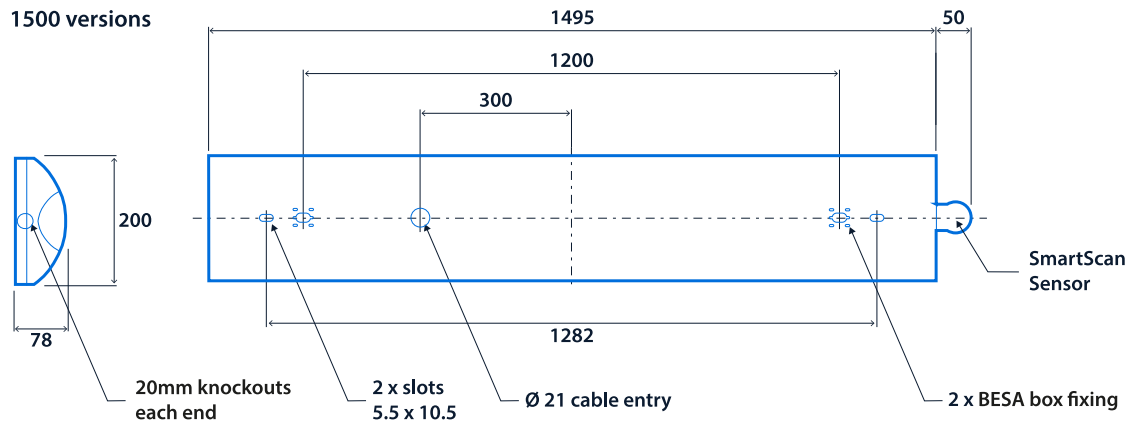
UKCA	Yes	CE	Yes
C-Tick (Aus)	Yes		

Dimensions

1200 versions



1500 versions





Click or scan here
View Jubilee variants using
our online filtering tool



Information is correct as of 05 Feb 2025, however must not be interpreted as a guarantee of individual product performance and/or characteristics. We reserve the right to alter specifications and designs without prior notice.