

Circular LED recessed downlighters

Recessed luminaires with injection moulded reflector finished white. Open, louvre and IP65 versions available. Accessories include frosted inner and frosted outer drop glass, green tinted halo and IK10 polycarbonate cover. Very efficient, medium power LEDs, 8 W, 16 W or 21 W versions.

Applications: Offices, corridors, reception areas, toilets and retail.

- Toughened/safety drop glass attachments provide a measure of light on the ceiling
- Optional reinforcing board with centre cut aperture
- Supplied with remote gear unit fitted with 2 m supply lead
- SmartScan Radar versions fitted with TEE connector for LCM wiring
- CRI 90 option available to special order
- SmartScan wireless technology removes the need for control cabling. Ideal for retro-fit



Up to IP65 (IP20 above ceiling) IK10 Up to 121.5 LL/CW SMARTSCAN LUXGUARD

Lighting management

Lighting control system	Dimming (DALI) Non-dimming SmartScan Radar	Emergency system	AutoTest Emergency Non-emergency SmartScan Emergency Standard Emergency
-------------------------	--	------------------	--

Specification

Mounting	Recessed	IP rating	Up to IP65 (IP20 above ceiling)
Impact rating	IK10	Max presence detection height	4 m

Lighting

Lumen output	925 lm - 2,790 lm	Efficacy	Up to 121.5 LL/CW
--------------	-------------------	----------	-------------------

Emergency data

Emergency lumen output	285 lm - 375 lm	Emergency type	Maintained
Emergency duration	3 hours	Battery specification	Nickel Metal Hydride (NiMH)

Power

LED power	8 W - 21 W	Circuit power	10 W - 26 W
-----------	------------	---------------	-------------

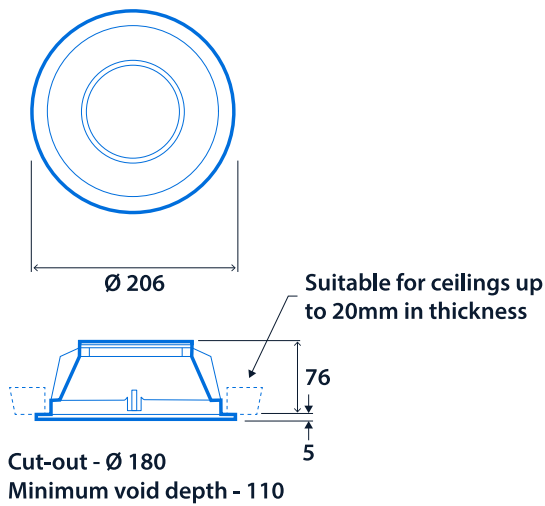
LED characteristics

CRI	80+	Colour temperature	3000 K 4000 K
Rated life (hours)	100 K - L80/B10		

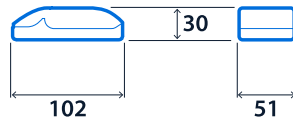
Compliance

UKCA	Yes	CE	Yes
C-Tick (Aus)	Yes	Energy efficiency class	This product contains a light source of energy efficiency class C
SmartScan wireless standards compliance	Europe: EN 300 220-1 V2.4.1/ EN 301 489-3 V1.6.1. Australasia: ACMA 2014 Radio Communication Standard 2014. Thorlux Patented Wireless Technology - GB2575724		

Dimensions

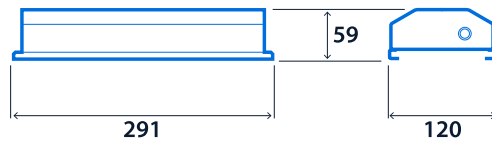


Standard Remote Driver



Downlighter Power Unit

for SmartScan Radar, SmartScan Radar Emergency, Emergency and AutoTest versions



Accessories

Product code	Description	Weight
GT11970	597 x 597 mm ceiling reinforcing board - 3mm thick plywood with 185 mm diameter central cut-out	0.55 kg



View the range

