

Emergency luminaires for recessed mounting with dedicated SmartScan wireless technology versions

LED emergency luminaires for recessed mounting with SmartScan wireless communication. Discreet LED emergency luminaires with superb optical performance. Three hour, non-maintained emergency operation. Eco-Power pluggable battery reduces maintenance time and cost.

Applications: open plan areas, corridors, storerooms, toilets etc.

- Small size - unobtrusive
- Superb photometric performance
- Pre-fitted 3 m lead option for connection into 6-pole or SmartScan 3-pole installations
- Low standby power consumption (1.7 W total)
- Easily replaceable Nickel Metal Hydride (NiMH) ECO-Power Pack battery
- Simple to install, full status reporting SmartScan wireless communication versions



IP65 (IP40 above ceiling) / IP20 control module

0 LL/CW

SMARTSCAN

Specification

Mounting	Recessed	IP rating	IP65 (IP40 above ceiling) / IP20 control module
----------	----------	-----------	---

Emergency data

Emergency lumen output	235 lm - 270 lm	Emergency type	Non-maintained
Emergency duration	3 hours	Battery specification	Nickel Metal Hydride (NiMH)

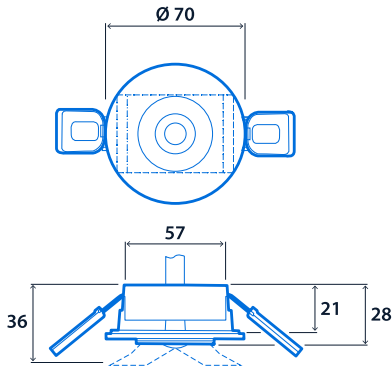
Power

LED power	3 W	Circuit power	3 W
-----------	-----	---------------	-----

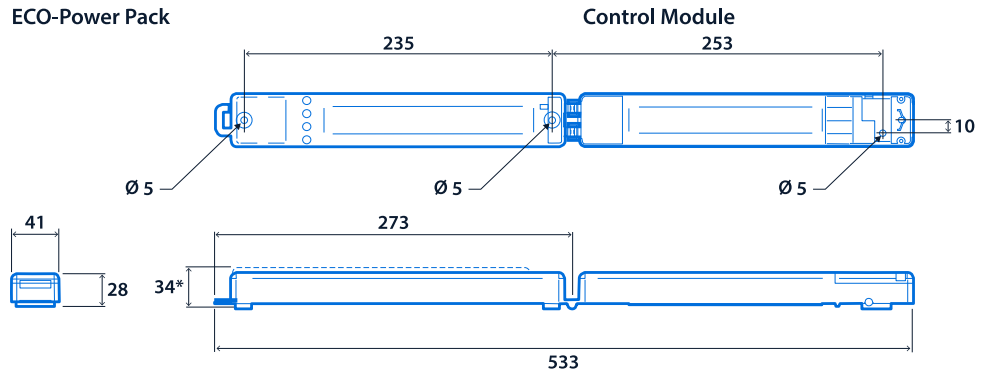
Compliance

UKCA	Yes	CE	Yes
C-Tick (Aus)	Yes		

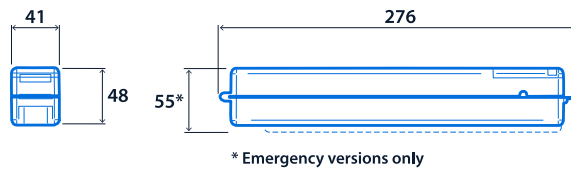
Dimensions



Cut-out - Ø 60
 Minimum void depth (when passing Control Module and ECO-Power Pack through cut-out) - 145mm**
 **170mm for emergency versions

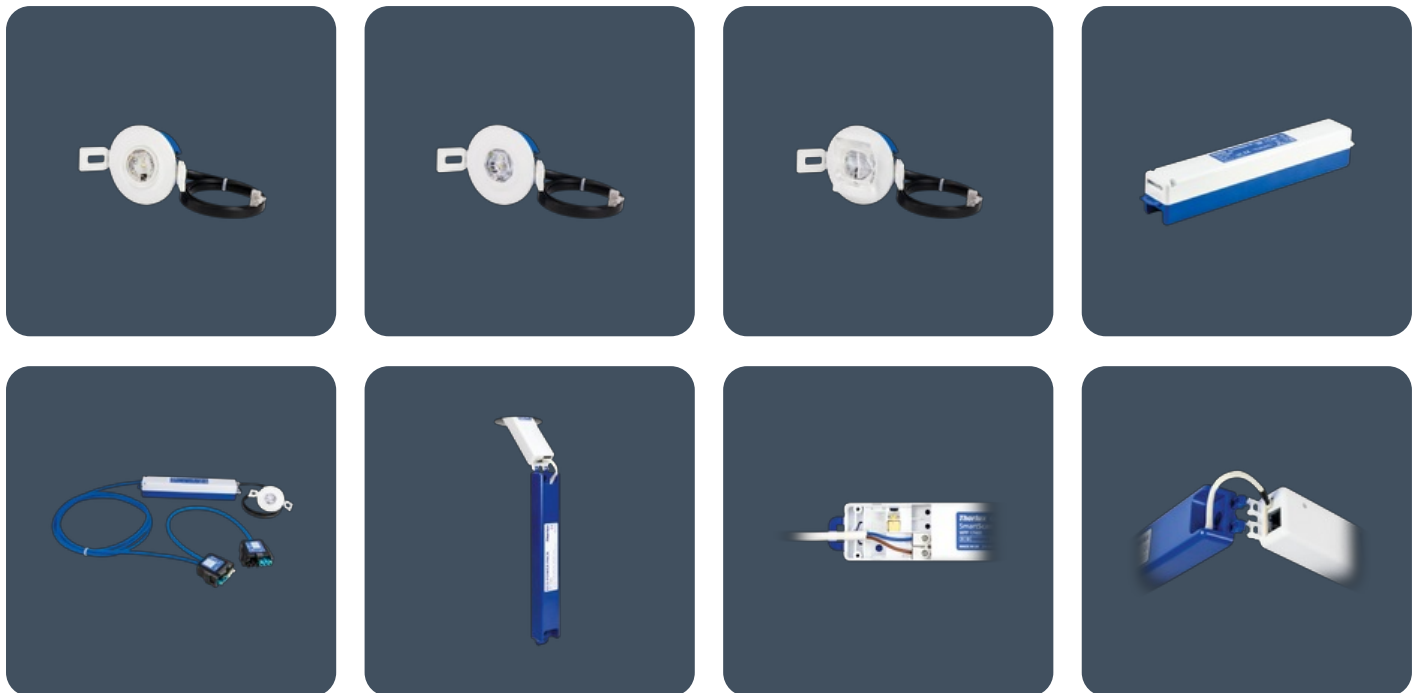


Control Module and ECO-Power Pack Combined



Control Module and ECO-Power Pack are articulated for easy placement through a small cut hole. The two items may be clipped on top of each other for space saving.

* Emergency versions only





Click or scan here

View Firefly variants using our
online filtering tool



Information is correct as of 22 Feb 2025, however must not be interpreted as a guarantee of individual product performance and/or characteristics. We reserve the right to alter specifications and designs without prior notice.