

Wall mounted LED uplighters

The smallest member of the Clara family, the Clara 90, provides a compact and elegant lighting solution. The Clara 90 uses 10 high powered LEDs mounted onto a special aluminium clad heat sinking circuit board, it has an integral LED driver and a dimming version. Please also see Clara 180 and Clara 360.

Applications: corridors, stairwells, reception areas, meeting rooms, pillars in open plan offices.

- Compact and elegant lighting solution



IP40

Up to 96.7 LL/CW

LED PROTECT

Specification

Mounting	Surface	IP rating	IP40
----------	---------	-----------	------

Lighting

Optic	Clear cover	Lumen output	1,160 lm - 2,020 lm
Efficacy	Up to 96.7 LL/CW		

Power

LED power	10 W - 20 W	Circuit power	12 W - 23 W
-----------	-------------	---------------	-------------

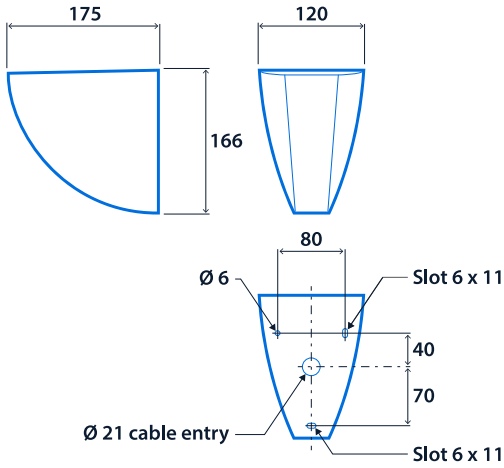
LED characteristics

CRI	80+	Colour temperature	4000 K
Rated life (hours)	100 K - L90/B10		

Compliance

UKCA	Yes	CE	Yes
C-Tick (Aus)	Yes		

Dimensions



Click or scan here
View Clara 90 variants using
our online filtering tool



Information is correct as of 05 Feb 2025, however must not be interpreted as a guarantee of individual product performance and/or characteristics. We reserve the right to alter specifications and designs without prior notice.