

LED area floodlights and street lights made in Australia

Supremely efficient long life IP66 pole top and wall mounted LED luminaires with aluminium die-cast body and glass cover. Available with either area or roadway optics and zero upward light to help reduce light pollution.

Applications: car parks, amenity areas, roadways.

- High efficiency lenses with a wide range of optical distributions
- Suitable for continuous operation up to 40°C ambient temperature
- Lens shield cover preventing light nuisance available on request
- Long system life up to 100,000 hours L90/B10
- Wall mounting bracket accessory available on request
- Pre-attached submersible cable with E14 insulation compound in accordance with VDE/IEC and meets or exceeds the Australian Standard AS/NZS 5000.1
- Wind surface: $\pm 0.08\text{m}^2$ (front), $\pm 0.04\text{m}^2$ (side)
- SmartScan wireless technology removes the need for control cabling. Ideal for retrofit



Notes: Special colours and CRI 30+ versions available on request



Specification

Mounting	Column Surface	IP rating	IP66
Impact rating	IK10	Max presence detection height	8 m

Lighting

Lumen output	13,280 lm - 18,000 lm
--------------	-----------------------

Power

LED power	88 W - 119 W
-----------	--------------

LED characteristics

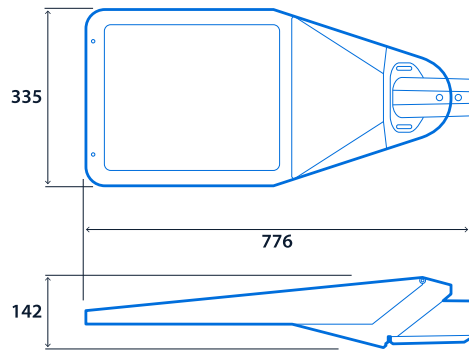
CRI	70+	Colour temperature	4000 K
Rated life (hours)	100 K - L90/B10		

Compliance

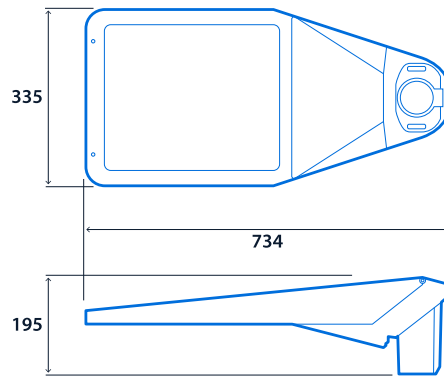
UKCA	Yes	CE	Yes
C-Tick (Aus)	Yes	Dekra	Yes
NATA compliance	Certified in accordance with AS/NZS60598.1:2017 and AS/NZS60598.2.3:2015		

Dimensions

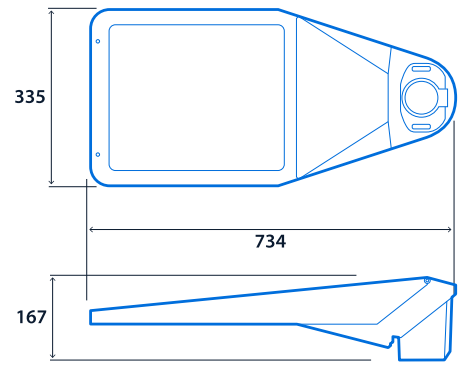
Pole size 60 (outreach)



Pole size 60 (pole mounted)



Pole size 76 (pole mounted)



Lens shield



Click or scan here
View Brisa Plus variants using our online filtering tool



Brisa Plus



Information is correct as of 05 Feb 2025, however must not be interpreted as a guarantee of individual product performance and/or characteristics. We reserve the right to alter specifications and designs without prior notice.