

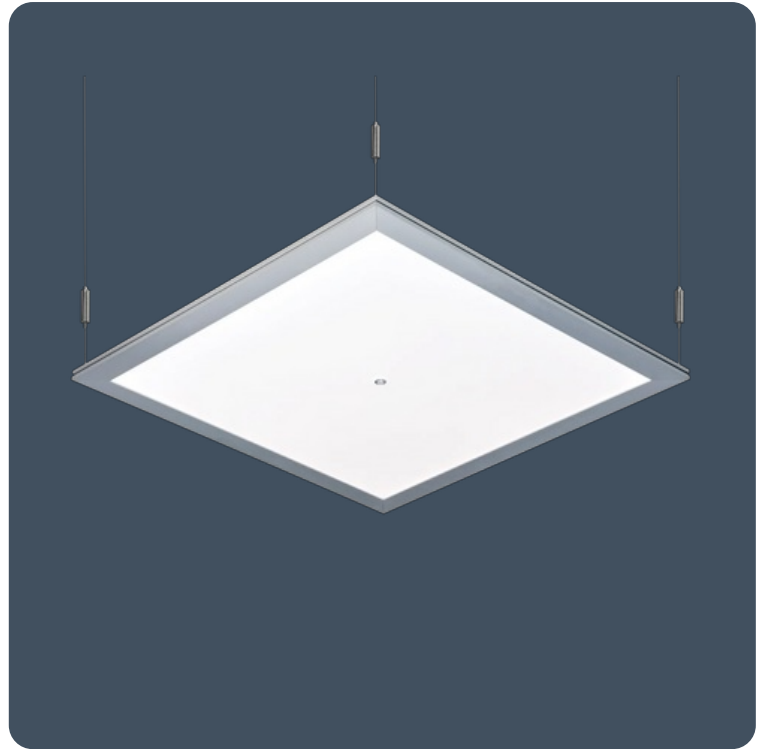
## Suspended LED edge-lit luminaires

The Thorlux Radiance is a UK designed and manufactured LED edge-lit panel built to a high specification. It uses fire retardant exposed parts and the control gear is housed in a metallic enclosure securely fixed to the rear of the luminaire. Several power choices are complemented with emergency derivatives and SmartScan energy saving versions.

Applications: offices, schools, retail.

- Opal polycarbonate TP(a) fire-retardant diffuser
- Edge-lit diffuser technology eliminates visible LEDs
- Supplied with easily adjustable wire suspensions (maximum suspension distance - 3 m)
- SmartScan wireless technology removes the need for control cabling. Ideal for retro-fit

Notes: High colour rendering CRI 90+ versions available to special order



IP20

IK08

Up to 133.2 LL/CW

SMARTSCAN

LUXGUARD

### Specification

Mounting	Suspended	IP rating	IP20
Impact rating	IK08	Nominal size	600 x 600 mm 1200 x 300 mm
Max presence detection height	8 m		

### Lighting

Optic	Opal diffuser	Lumen output	2,255 lm - 7,650 lm
Efficacy	Up to 133.2 LL/CW		

### Emergency data

Emergency lumen output	330 lm - 335 lm	Emergency type	Maintained
Emergency duration	3 hours	Battery specification	Nickel Metal Hydride (NiMH)

### Power

LED power	16 W - 51 W	Circuit power	19 W - 59 W
-----------	-------------	---------------	-------------

## LED characteristics

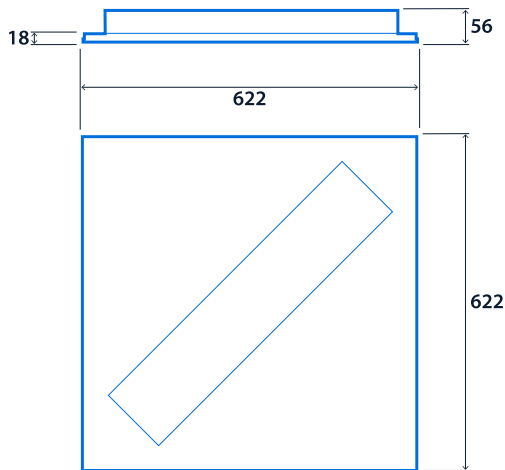
CRI	80+	Colour temperature	4000 K
Rated life (hours)	67 K - L80/B10		

## Compliance

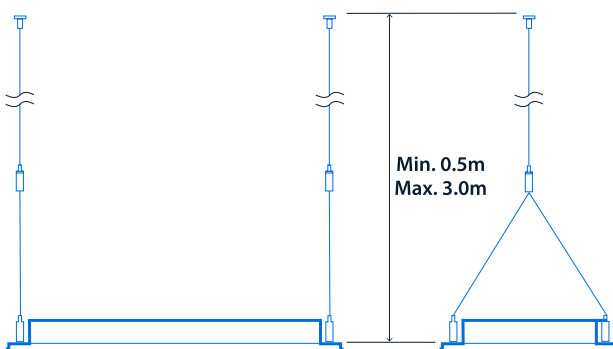
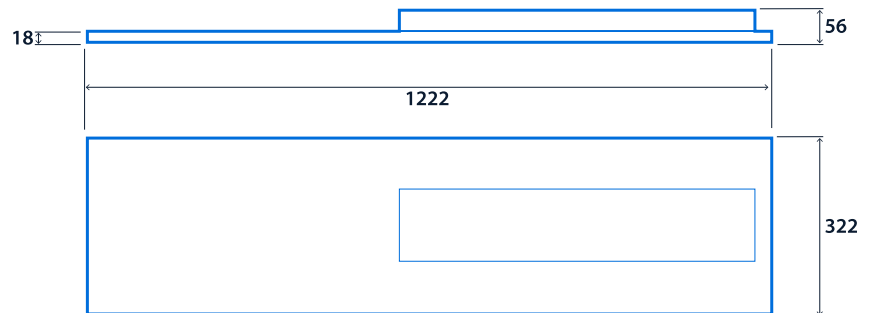
UKCA	Yes	CE	Yes
C-Tick (Aus)	Yes		

## Dimensions

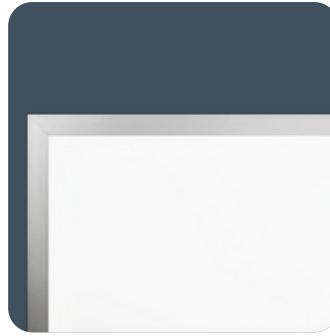
625 x 625



1225 x 325



# Radiance Suspended



**Click or scan here**  
View Radiance Suspended  
variants using our online  
filtering tool



Information is correct as of 12 Mar 2025, however must not be interpreted as a guarantee of individual product performance and/or characteristics. We reserve the right to alter specifications and designs without prior notice.