

Corrosion resistant heavy duty bulkhead luminaires

Robust bulkhead luminaires for internal or external applications. Strong high-pressure die-cast aluminium body and frame with polycarbonate or thermally shock resistant borosilicate glass cover. Optional wire guard available.

Applications: walkways, loading bays, entrances, precincts and security areas. Ideal for industrial areas and power stations, cable tunnels, pump rooms and coal handling plants.

- Fixings outside gasket line to preserve IP rating
- Clip-on nylon coated steel wire guard available
- Tamper-resistant cover screws available
- Complies with M.O.D. JSP482 Chapter 8 Document for 'Category C' areas



IP66
Up to 115 LL/CW
LED PROTECT

Specification

| | | | |
|----------|---------|-----------|------|
| Mounting | Surface | IP rating | IP66 |
|----------|---------|-----------|------|

Lighting

| | | | |
|----------|-----------------|--------------|---------------------|
| Optic | Prismatic cover | Lumen output | 2,455 lm - 4,255 lm |
| Efficacy | Up to 115 LL/CW | | |

Power

| | | | |
|-----------|-------------|---------------|-------------|
| LED power | 20 W - 32 W | Circuit power | 23 W - 37 W |
|-----------|-------------|---------------|-------------|

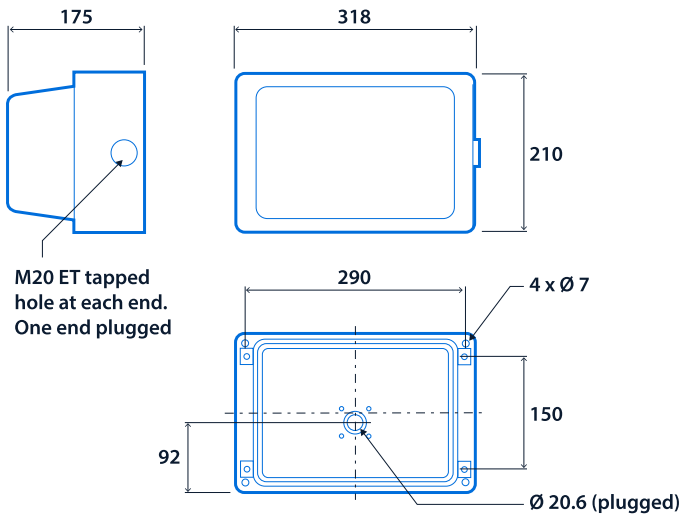
LED characteristics

| | | | |
|--------------------|-----------------|--------------------|--------|
| CRI | 70+ | Colour temperature | 4000 K |
| Rated life (hours) | 100 K - L90/B10 | | |

Compliance

| | | | |
|--------------|-----|----------------|--|
| UKCA | Yes | CE | Yes |
| C-Tick (Aus) | Yes | MOD compliance | JSP482 Chapter 8 Document for 'Category C' areas |

Dimensions



Click or scan here
View Prismalux variants using our online filtering tool



Information is correct as of 12 Mar 2025, however must not be interpreted as a guarantee of individual product performance and/or characteristics. We reserve the right to alter specifications and designs without prior notice.