

## High performance wall mounted luminaires

Vandal resistant luminaires photometrically designed to achieve wide luminaire spacing. Die-cast aluminium body with impact-resistant, flame-retardant UV stabilised prismatic polycarbonate cover.

Applications: walkways and entrance areas, commercial premises, educational institutes and hospital/healthcare buildings.

- Strong pressure die-cast LM2 aluminium body prevents distortion when fixing and preserves IP rating
- Spacings up to six times mounting height
- Optional photocell control
- Tamper-resistant cover screws available
- Simple to fix using external stainless-steel brackets and two lower points, all external to gasket line to preserve IP rating
- Complies with M.O.D. JSP482 Chapter 8 Document for 'Category C' areas
- SmartScan wireless technology removes the need for control cabling. Ideal for retro-fit



IP65
IK10
110 LL/CW
SMARTSCAN
LUXGUARD

### Specification

Mounting	Surface	IP rating	IP65
Impact rating	IK10	Max presence detection height	8 m

### Lighting

Optic	Prismatic cover	Lumen output	3,300 lm
Efficacy	110 LL/CW		

### Emergency data

Emergency lumen output	250 lm	Emergency type	Maintained
Emergency duration	3 hours	Battery specification	Nickel Metal Hydride (NiMH)

### Power

LED power	26 W	Circuit power	30 W
-----------	------	---------------	------

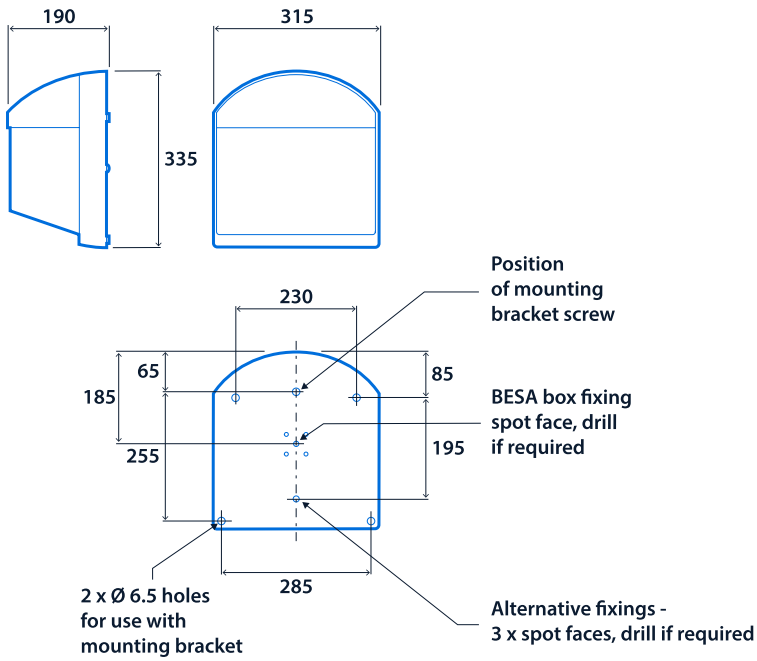
## LED characteristics

CRI	80+	Colour temperature	4000 K 5700 K
Rated life (hours)	100 K - L70/B10		

## Compliance

UKCA	Yes	CE	Yes
C-Tick (Aus)	Yes		

## Dimensions





**Click or scan here**  
View Mercian variants using  
our online filtering tool



Information is correct as of 12 Mar 2025, however must not be interpreted as a guarantee of individual product performance and/or characteristics. We reserve the right to alter specifications and designs without prior notice.