

## LED pole top amenity luminaires

Stylish IP66 rated pole top amenity luminaire with aluminium cast body and spigot adaptor. UV stabilised clear polycarbonate cover rated IP66 and IK10. Integral high quality LED driver.

Applications: car parks, amenity areas and hospital estates.

- Integral high efficiency driver
- Extremely efficient and long system life up to 100,000 hours
- Fits 76mm columns as standard (60mm to special order)
- Photocell option



IP66

IK10

Up to 120 LL/CW

### Specification

Mounting	Column	IP rating	IP66
Impact rating	IK10	Windage rating	0.14 m <sup>2</sup>

### Lighting

Optic	Clear cover	Lumen output	4,320 lm - 6,825 lm
Efficacy	Up to 120 LL/CW		

### Power

LED power	31 W - 52 W	Circuit power	36 W - 61 W
-----------	-------------	---------------	-------------

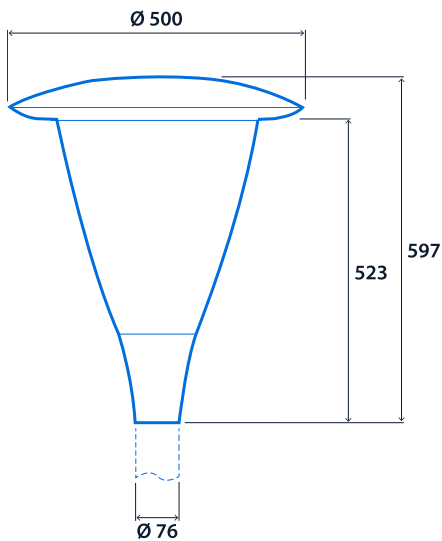
### LED characteristics

CRI	70+	Colour temperature	4000 K
Rated life (hours)	100 K - L90/B10		

## Compliance

UKCA	Yes	CE	Yes
C-Tick (Aus)	Yes		

## Dimensions



**Click or scan here**  
View Juno A variants using  
our online filtering tool



Information is correct as of 12 Mar 2025, however must not be interpreted as a guarantee of individual product performance and/or characteristics. We reserve the right to alter specifications and designs without prior notice.