

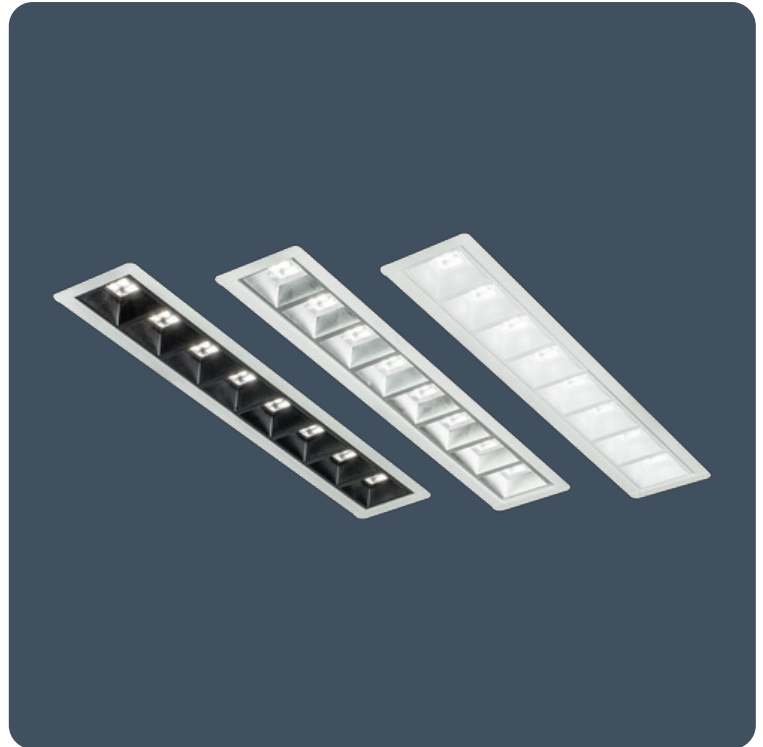
## Low glare recessed linear downlight luminaires

Flexblox is a slimline, linear downlight with low glare optics that can enliven simple grid layouts. By orientating Flexblox luminaires, creative and innovative lighting designs can be created. Flexblox can be recessed into different ceiling types to produce a minimal aesthetic for a variety of applications. With a choice of three optical reflectors, the luminaire brightness can suit the requirements of the space.

Flexblox MultiDrive can save on installation costs whilst increasing flexibility by powering multiple luminaires from one gear box and allowing the wattage to be set on site via the integrated wattage selector.

Applications: reception areas, corridors, meeting rooms, offices, teaching spaces, libraries, retail and circulation/breakout spaces.

- Black 'invisible' light source, metallised low glare and white reflector options
- MultiDrive technology versions with remote gear box powering up to 4 luminaires
- Rapid installation MultiDrive versions using 3 m lead and plugs (emergency versions use a 1 m lead)
- MultiDrive versions with wattage selectable during installation
- Supplied with reinforcing plate including cut aperture template
- SmartScan wireless technology removes the need for control cabling. Ideal for retro-fit



IP40

Up to 139.7 LL/CW

SMARTSCAN

LUXGUARD

### Specification

Mounting	<b>Recessed</b>	IP rating	<b>IP40</b>
Max presence detection height	<b>8 m</b>		

### Lighting

Lumen output	<b>1,100 lm - 2,515 lm</b>	Efficacy	<b>Up to 139.7 LL/CW</b>
--------------	----------------------------	----------	--------------------------

### Emergency data

Emergency type	<b>Maintained</b>	Emergency duration	<b>3 hours</b>
Battery specification	<b>Nickel Metal Hydride (NiMH)</b>		

## Power

LED power	8 W - 16 W	Circuit power	9 W - 20 W
-----------	------------	---------------	------------

## LED characteristics

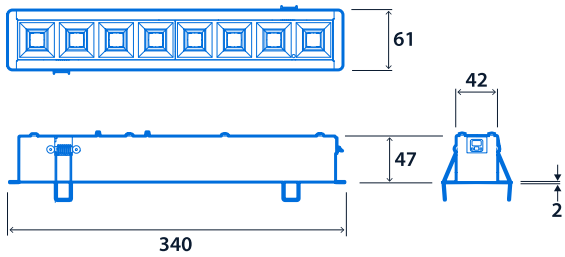
CRI	80+	Colour temperature	4000 K
Rated life (hours)	100 K - L80/B10		

## Compliance

UKCA	Yes	CE	Yes
C-Tick (Aus)	Yes		

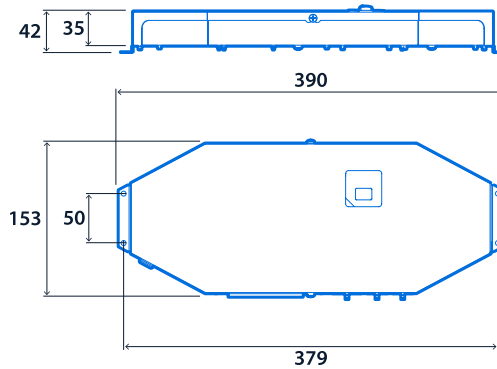
## Dimensions

### Flexblox

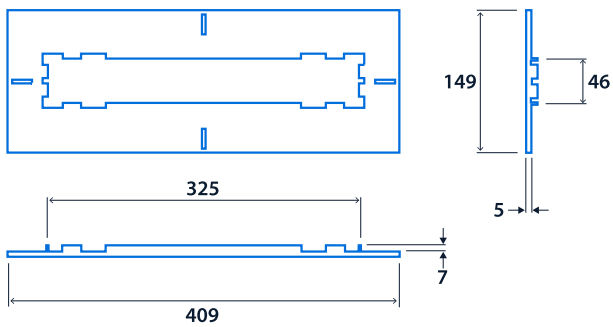


Cut out: 49mm x 326mm  
Void depth:  $\geq 260$ mm

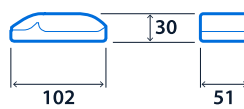
### Emergency/MultiDrive Remote Gear Box

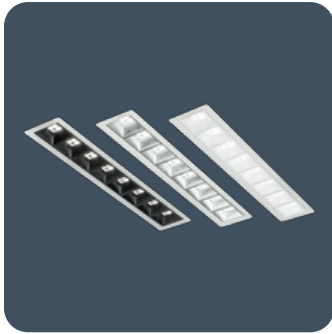


### Reinforcing Plate



### Standard Remote Driver





**Click or scan here**  
View Flexblox variants using  
our online filtering tool



Information is correct as of 12 Mar 2025, however must not be interpreted as a guarantee of individual product performance and/or characteristics. We reserve the right to alter specifications and designs without prior notice.