

## High output emergency luminaires for recessed mounting with SmartScan wireless technology

High-power LED emergency luminaires for recessed mounting with SmartScan wireless communication. Discreet LED emergency luminaires with superb optical performance. Three hour, non-maintained emergency operation. Eco-Power pluggable battery reduces maintenance time and cost.

Applications: Areas with increased mounting heights or where increased illumination levels are required.

- Suitable for higher mounting applications
- Aids compliance with BS5266-1:2016 for areas where enhanced illuminance is needed at specific locations
- Pre-fitted 3 m lead option for connection into 6-pole or SmartScan 3-pole installations
- Low standby power consumption (1.7 W total)
- Easily replaceable Nickel Metal Hydride (NiMH) ECO-Power Pack battery
- Simple to install, full status reporting SmartScan wireless communication



IP65 (IP40 above ceiling) / IP20 control module

0 LL/CW

SMARTSCAN

### Specification

Mounting	Recessed	IP rating	IP65 (IP40 above ceiling) / IP20 control module
----------	----------	-----------	---

### Emergency data

Emergency lumen output	555 lm - 565 lm	Emergency type	Non-maintained
Emergency duration	3 hours	Battery specification	Nickel Metal Hydride (NiMH)

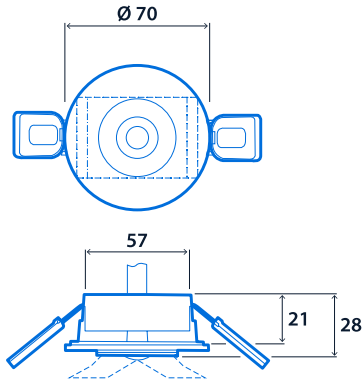
### Power

LED power	4 W	Circuit power	4 W
-----------	-----	---------------	-----

### Compliance

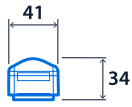
UKCA	Yes	CE	Yes
C-Tick (Aus)	Yes		

## Dimensions

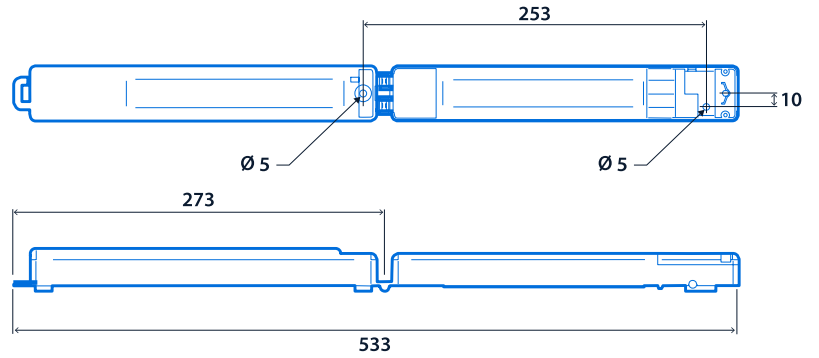


Cut-out - Ø 60  
 Minimum void depth (when passing Control Module and ECO-Power Pack through cut-out) - 170mm

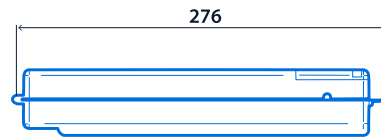
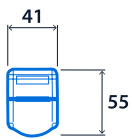
ECO-Power Pack



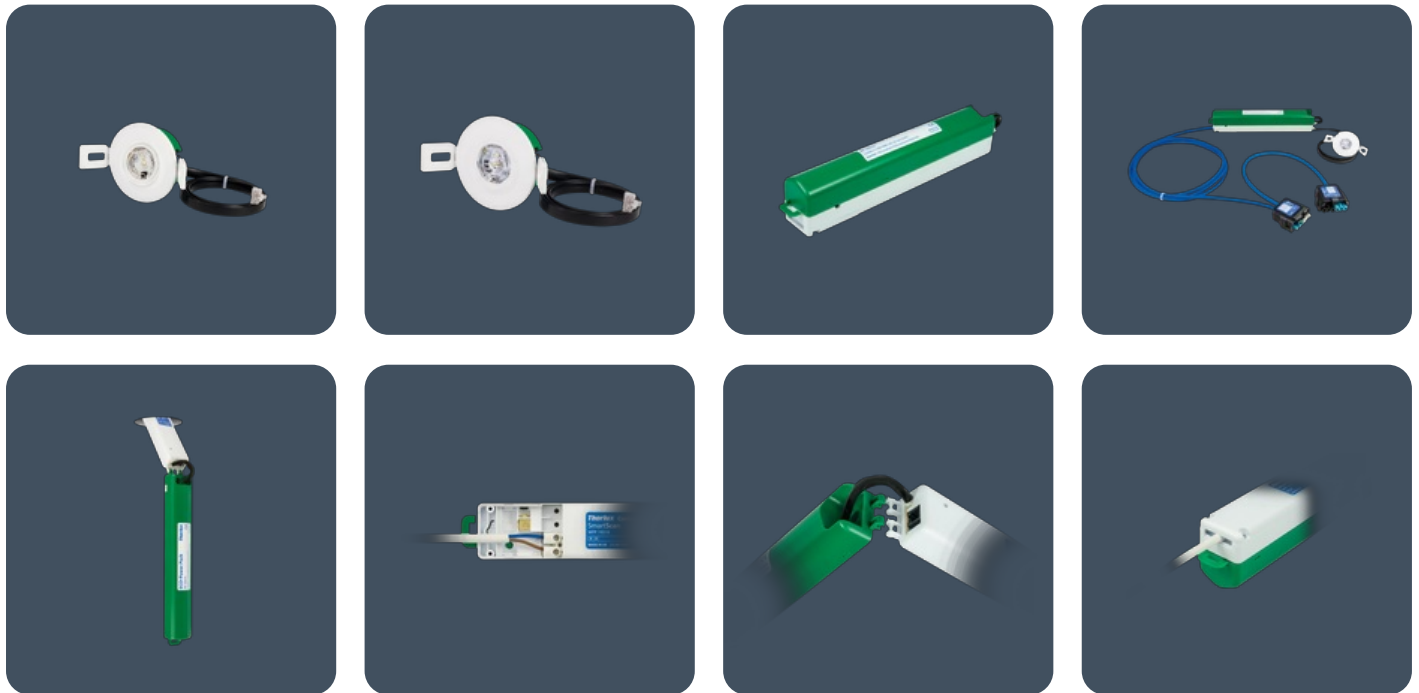
Control Module



Control Module and ECO-Power Pack Combined



Control Module and ECO-Power Pack are articulated for easy placement through a small cut hole. The two items may be clipped on top of each other for space saving.





## Click or scan here

View Firefly Plus variants  
using our online filtering tool



Information is correct as of 12 Mar 2025, however must not be interpreted as a guarantee of individual product performance and/or characteristics. We reserve the right to alter specifications and designs without prior notice.