

Wall mounted LED uplighters

The smallest member of the Clara family, Clara 90 provides a compact and elegant uplight solution. Clara 90 can be used to highlight features within a space or create an indirect lighting solution for corridors, reception areas and meeting rooms. It uses medium power LEDs to provide a broad uplight distribution with integral control gear.

The Clara family consists of the Clara 90, Clara 180, Clara 360 and Clara 720 luminaires.

Applications: feature lighting, corridors, stairwells, reception areas, meeting rooms.

- Compact and elegant uplight solution
- Available in white or silver finish



IP40

Up to 137.5 LL/CW

Specification

Mounting	Surface	IP rating	IP40
----------	---------	-----------	------

Lighting

Optic	Clear cover	Lumen output	1,100 lm - 2,130 lm
Efficacy	Up to 137.5 LL/CW		

Power

LED power	7 W - 14 W	Circuit power	8 W - 16 W
-----------	------------	---------------	------------

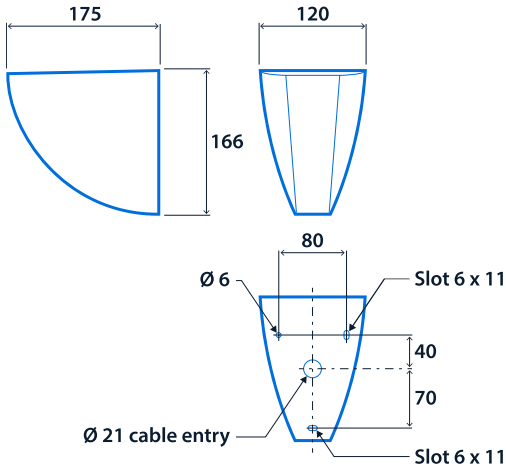
LED characteristics

CRI	80+	Colour temperature	4000 K
Rated life (hours)	100 K - L80/B10		

Compliance

UKCA	Yes	CE	Yes
C-Tick (Aus)	Yes		

Dimensions



Click or scan here
View Clara 90 variants using
our online filtering tool



Information is correct as of 12 Mar 2025, however must not be interpreted as a guarantee of individual product performance and/or characteristics. We reserve the right to alter specifications and designs without prior notice.