

## LED area floodlights and street lights made in Australia

Supremely efficient long life IP66 pole top and wall mounted LED luminaires with aluminium die-cast body and glass cover. Available with either area or roadway optics and zero upward light to help reduce light pollution.

Applications: car parks, amenity areas, roadways.

- High efficiency lenses with a wide range of optical distributions
- Suitable for continuous operation up to 40°C ambient temperature
- Lens shield cover preventing light nuisance available on request
- Long system life up to 100,000 hours L90/B10
- Wall mounting bracket accessory available on request
- Pre-attached submersible cable with E14 insulation compound in accordance with VDE/IEC and meets or exceeds the Australian Standard AS/NZS 5000.1
- Wind surface:  $\pm 0.08\text{m}^2$  (front),  $\pm 0.04\text{m}^2$  (side)
- SmartScan wireless technology removes the need for control cabling. Ideal for retrofit



Notes: Special colours and CRI 30+ versions available on request



### Specification

Mounting	Column Surface	IP rating	IP66
Impact rating	IK10	Max presence detection height	8 m

### Lighting

Lumen output	13,280 lm - 18,000 lm
--------------	-----------------------

### Power

LED power	88 W - 119 W
-----------	--------------

### LED characteristics

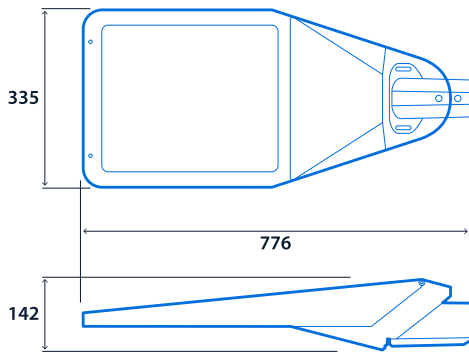
CRI	70+	Colour temperature	4000 K
Rated life (hours)	100 K - L90/B10		

## Compliance

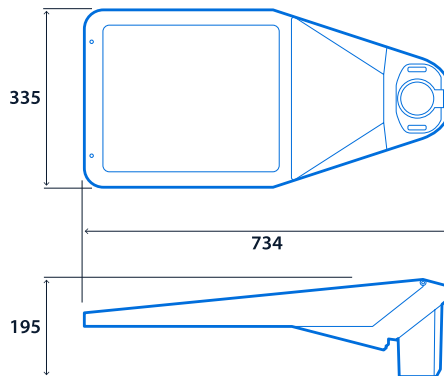
UKCA	Yes	CE	Yes
C-Tick (Aus)	Yes	Dekra	Yes
NATA compliance	Certified in accordance with AS/NZS60598.1:2017 and AS/NZS60598.2.3:2015		

## Dimensions

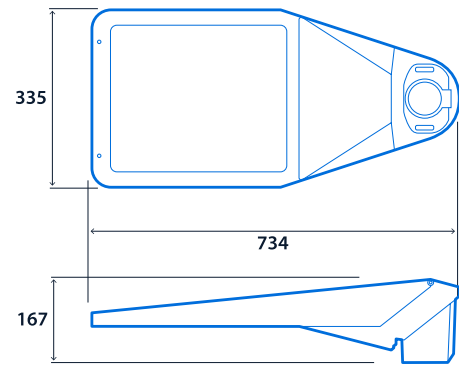
Pole size 60 (outreach)



Pole size 60 (pole mounted)



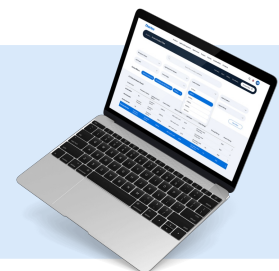
Pole size 76 (pole mounted)



Lens shield



**Click or scan here**  
View Brisa Plus variants using our online filtering tool



# Brisa Plus



Information is correct as of 12 Mar 2025, however must not be interpreted as a guarantee of individual product performance and/or characteristics. We reserve the right to alter specifications and designs without prior notice.